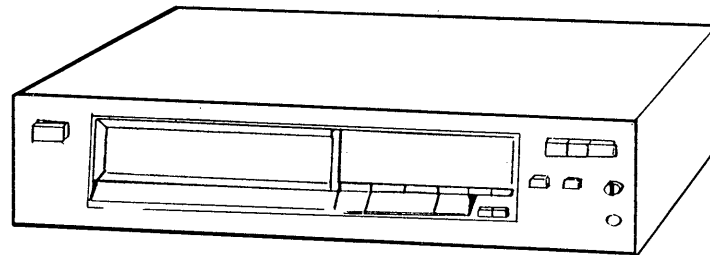


# CDP-M26/M27/M47

## SERVICE MANUAL

Canadian Model  
 AEP Model  
 E Model  
 Australian Model  
 CDP-M27  
 AEP Model  
 UK Model  
 CDP-M26/M47



CDP-M27

### SPECIFICATIONS



System	Compact disc digital audio system
Laser	Semiconductor laser ( $\lambda=780\text{nm}$ )
Emission duration	Continuous
Frequency response	2Hz – 20,000Hz ( $\pm 1\text{ dB}$ )
Signal-to-noise ratio	More than 90dB
Harmonic distortion	Less than 0.09%
Wow and flutter	Below measurable limit
Output	LINE OUT (phono jacks) Output level 2V (at 50 kilohms) Load impedance over 10 kilohms
Channel separation	More than 95 dB (1 kHz)
<b>General</b>	
Power requirement	AEP model (CDP-M26/M27/M47) Australian model (CDP-M27) 220V AC, 50/60Hz UK model (CDP-M26/M47) 240V AC, 50/60Hz Canadian model (CDP-M27) 120V AC, 60 Hz E, Saudi Arabia model (CDP-M27) 110 – 120V or 220 – 240V, adjustable, 50/60Hz
Power consumption	10W, 12W (Canadian model)
Dimensions	approx. 355 x 80 x 275 mm (w/h/d) (14 x 3 1/4 x 10 inches) including projecting parts and controls
Weight	approx. 3.0kg (6 lbs 10 oz) (net)
<b>Supplied accessories</b>	
Audio signal connecting cord (2 phono plugs – 2 phono plugs) (1)	
For CDP-M47 only:	
Remote commander (1), Sony SUM-3 (MS) batteries (2)	
For CDP-M26/M27/M47:	
AC power cord (1)	

### TABLE OF CONTENTS


<u>Section</u>	<u>Title</u>	<u>Page</u>
	Specifications . . . . .	1
	Servicing Note . . . . .	2
<b>SECTION 1. GENERAL</b>		
1-1.	Location and Function of Controls. . . . .	3
1-2.	Circuit Description . . . . .	4
<b>SECTION 2. ADJUSTMENTS . . . . . 6</b>		
<b>SECTION 3. DIAGRAMS</b>		
3-1.	Waveforms . . . . .	9
3-2.	Semiconductor Lead Layouts . . . . .	10
3-3.	Printed Wiring Boards . . . . .	11
3-4.	Schematic Diagram . . . . .	13
3-5.	IC Block Diagrams . . . . .	16
<b>SECTION 4. EXPLODED VIEWS . . . . . 18</b>		
<b>SECTION 5. ELECTRICAL PARTS LIST . . . 20</b>		
<b>SUPPLEMENT-1 . . . . . 24</b>		

COMPACT DISC PLAYER  
**SONY**<sup>®</sup>

**SAFETY-RELATED COMPONENT WARNING!!**

COMPONENTS IDENTIFIED BY MARK  OR DOTTED LINE WITH MARK  ON THE SCHEMATIC DIAGRAMS AND IN THE PARTS LIST ARE CRITICAL TO SAFE OPERATION. REPLACE THESE COMPONENTS WITH SONY PARTS WHOSE PART NUMBERS APPEAR AS SHOWN IN THIS MANUAL OR IN SUPPLEMENTS PUBLISHED BY SONY.

**ATTENTION AU COMPOSANT AYANT RAPPORT À LA SÉCURITÉ!**

LES COMPOSANTS IDENTIFIÉS PAR UNE MARQUE  SUR LES DIAGRAMMES SCHÉMATIQUES ET LA LISTE DES PIÈCES SONT CRITIQUES POUR LA SÉCURITÉ DE FONCTIONNEMENT. NE REMPLACER CES COMPOSANTS QUE PAR DES PIÈCES SONY DONT LES NUMÉROS SONT DONNÉS DANS CE MANUEL OU DANS LES SUPPLÉMENTS PUBLIÉS PAR SONY.

## PROTECTION OF EYES FROM LASER BEAM DURING SERVICING

This set employs a laser. Therefore, be sure to follow carefully the instructions below when servicing.

**CAUTION**

Use of controls or adjustments or performance of procedures other than those specified herein may result in hazardous radiation exposure.

**NOTES ON HANDLING THE OPTICAL PICK-UP BLOCK OR BASE UNIT**

The laser diode in the optical pick-up block may suffer electrostatic breakdown because of the potential difference generated by the charged electrostatic load, etc. on clothing and the human body.

During repair, pay attention to electrostatic breakdown and also use the procedure in the printed matter which is included in the repair parts.

The flexible board is easily damaged and should be handled with care.

**1. Laser Diode Properties**

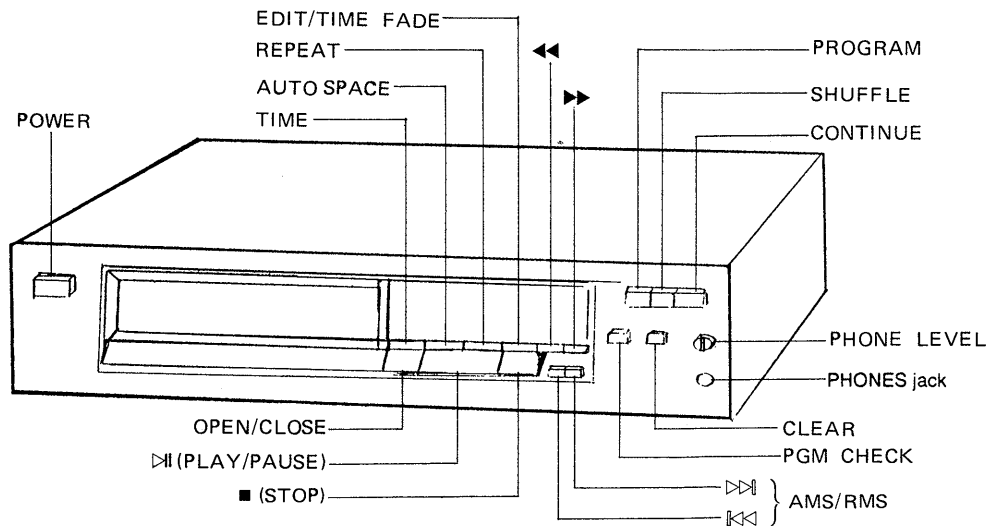
- Material: GaAlAs
- Wavelength: 780 nm
- Emission Duration: continuous
- Laser Output: max. 44.6  $\mu$ W\*

\* This output is the value measured at a distance of about 200 mm from the objective lens surface on the Optical Pick-up Block.

2. During service, do not take the Optical Pick-up Block apart, and do not adjust the APC circuit. If there is a breakdown in the APC circuit (including laser diode), replace the entire Optical Pick-up Block (including APC board).

## SECTION 1 GENERAL

### 1-1. LOCATION AND FUNCTION OF CONTROLS



## SAFETY CHECK-OUT

After correcting the original service problem, perform the following safety check before releasing the set to the customer:

Check the antenna terminals, metal trim, "metallized" knobs, screws, and all other exposed metal parts for AC leakage. Check leakage as described below.

### LEAKAGE TEST

The AC leakage from any exposed metal part to earth ground and from all exposed metal parts to any exposed metal part having a return to chassis, must not exceed 0.5 mA (500 microampers). Leakage current can be measured by any one of three methods.

1. A commercial leakage tester, such as the Simpson 229 or RCA WT-540A. Follow the manufacturers' instructions to use these instruments.
2. A battery-operated AC milliammeter. The Data Precision 245 digital multimeter is suitable for this job.

3. Measuring the voltage drop across a resistor by means of a VOM or battery-operated AC voltmeter. The "limit" indication is 0.75 V, so analog meters must have an accurate low-voltage scale. The Simpson 250 and Sanwa SH-63Trd are examples of a passive VOM that is suitable. Nearly all battery operated digital multimeters that have a 2 V AC range are suitable. (See Fig. A)

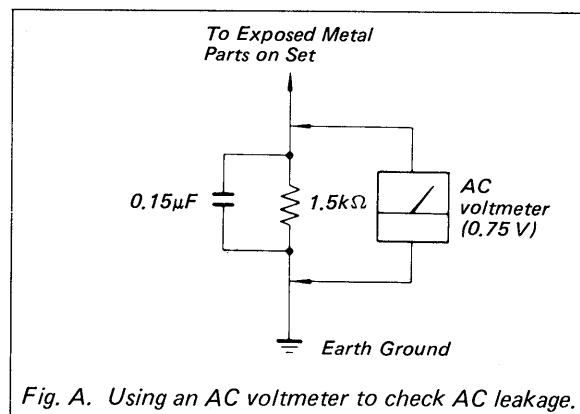


Fig. A. Using an AC voltmeter to check AC leakage.

## 1-2. DESCRIPTION OF IC6 (MSC6458) SYSTEM CONTROL MICROCOMPUTER

IC6 has the following functions:

- . Digital signal output to operation key
- . Sub Q signal loading and processing
- . Fluorescent display (FLD) control
- . Servo circuit control

## Pin Function of IC6

Pin no.	Pin name	I/O	Description
1	PLL SW	O	"L" in play mode and "H" in search mode.
2	CLK	O	Command transfer of clock to SSP (IC3) and DSP (IC7).
3	DATA	O	Command transfer of data to SSP (IC3) and DSP (IC7).
4	XLK	O	Command transfer of latch to SSP (IC3) and DSP (IC7).
5	PRGL	O	Command transfer of latch to DFIL (IC9).
6	SYNC OUT	O	No connector (NC).
7	SENSE	I	SSP (IC2) and DSP (IC3) sense information.
8	SYNC ON	I	Sync REC ("L" in REC mode).
9	SIRCS	I	Remote control signal input.
10	SCOR	I	Q code read timing.
11	AF ADJ	I	No connection (NC)
12	ADJ	I	"L" in test mode.
13	AMUTE	O	ALL muting. Output to DSP (IC3) MUTG.
14	EMPS	O	No connection (NC)
15	SUBQ	I	Subcode data.
16	SQCLK	O	Subcode data read clock.
17	GFS	I	"H" when CLV is locked.
18	FOK	I	"H" when focus is on.
19	KEY0	I	Key matrix input, "H" active.
20	KEY1	I	Key matrix input, "H" active.
21	KEY2	I	Key matrix input, "H" active.
22	KEY3	I	Key matrix input, "H" active.
23	KEY4	I	Key matrix input, "H" active.
24	KEY5	I	Key matrix input, "H" active.
25	INSW	I	Loading IN SW.
26	LDON	O	Laser on / off.
27	OUTSW	I/O	Loading OUT SW.
28	LODOUT	O	Loading motor control.
29	LODIN	O	Loading motor control.
30	OSC1	I	Oscillator input terminal (4 MHz).
31	OSCO	I	Oscillator input terminal (4 MHz).

Pin No.	Pin name	I/O	Description
32	GND	—	GND terminal.
33	RESET	I	Reset input terminal. Input when power is turned on.
34	TEST	—	No connection (NC).
35	VL DOWN	—	No connection (NC).
36	VL UP	O	Volume up.
37	TIMER	O	No connection (NC).
38	LED	O	Volume indicator.
39	8G	O	FLD timing output.
40	7G	O	FLD timing output.
41	6G	O	FLD timing output.
42	5G	O	FLD timing output.
43	4G	O	FLD timing output.
44	3G	O	FLD timing output.
45	2G	O	FLD timing output.
46	1G	O	FLD timing output.
47	NC	—	No connection (NC).
48	o	O	FLD segment output.
49	n	O	FLD segment output.
50	m	O	FLD segment output.
51	+ 30V	—	+ 30V
52	l	O	FLD segment output.
53	k	O	FLD segment output.
54	j	O	FLD segment output.
55	i	O	FLD segment output.
56	h	O	FLD segment output.
57	g	O	FLD segment output.
58	f	O	FLD segment output.
59	e	O	FLD segment output.
60	d	O	FLD segment output.
61	c	O	FLD segment output.
62	b	O	FLD segment output.
63	a	O	FLD segment output.
64	VDD	—	positive(+) power supply (5V)

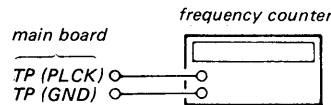
## SECTION 2 ADJUSTMENTS

### ELECTRICAL ADJUSTMENTS

1. Perform adjustments in the order given.
2. Use YEDS-18 (Part No. 3-702-101-01) disc unless otherwise indicated.
3. Use the oscilloscope with more than 10MΩ impedance.

#### RF PLL Frequency Adjustment/Lock Frequency Check

**Procedure:**

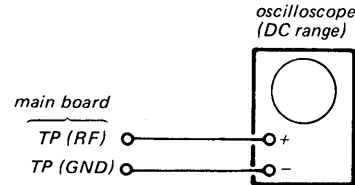


1. Ground test point TP (ASY).
2. Connect the frequency counter to the test points TP (PCK) and TP (GND).
3. Turn POWER switch on.
4. Adjust RV4 so that the reading on the frequency counter is 4.3218 MHz.  
... (RF PLL frequency adjustment)
5. Remove the grounding wire from TP (ASY).
6. Put the disc (YEDS-18) in and press ▷ button.
7. Confirm that the reading on the frequency counter is locked at 4.3218 MHz.

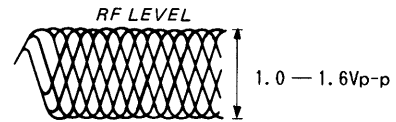
#### Focus Bias Adjustment

This adjustment should be made after replacing the Optical Pick-up Block.

**Procedure:**



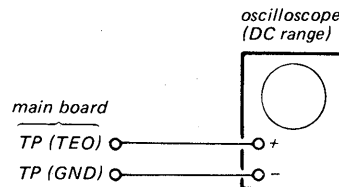
1. Connect oscilloscope to the test points TP (RF) and TP (GND).
2. Turn POWER switch on.
3. Put the disc (YEDS-18) in and press ▷ button.
4. Adjust RV2 for an optimum waveform eye pattern. Optimum eye pattern means that shape "◇" can be clearly distinguished at the center of the waveform.



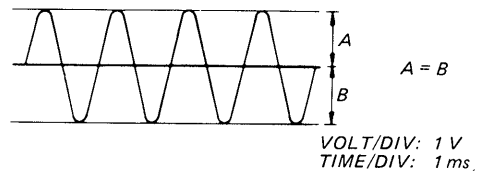
#### E-F Balance Adjustment

This adjustment should be made after replacing the Optical Pick-up Block.

**Procedure:**



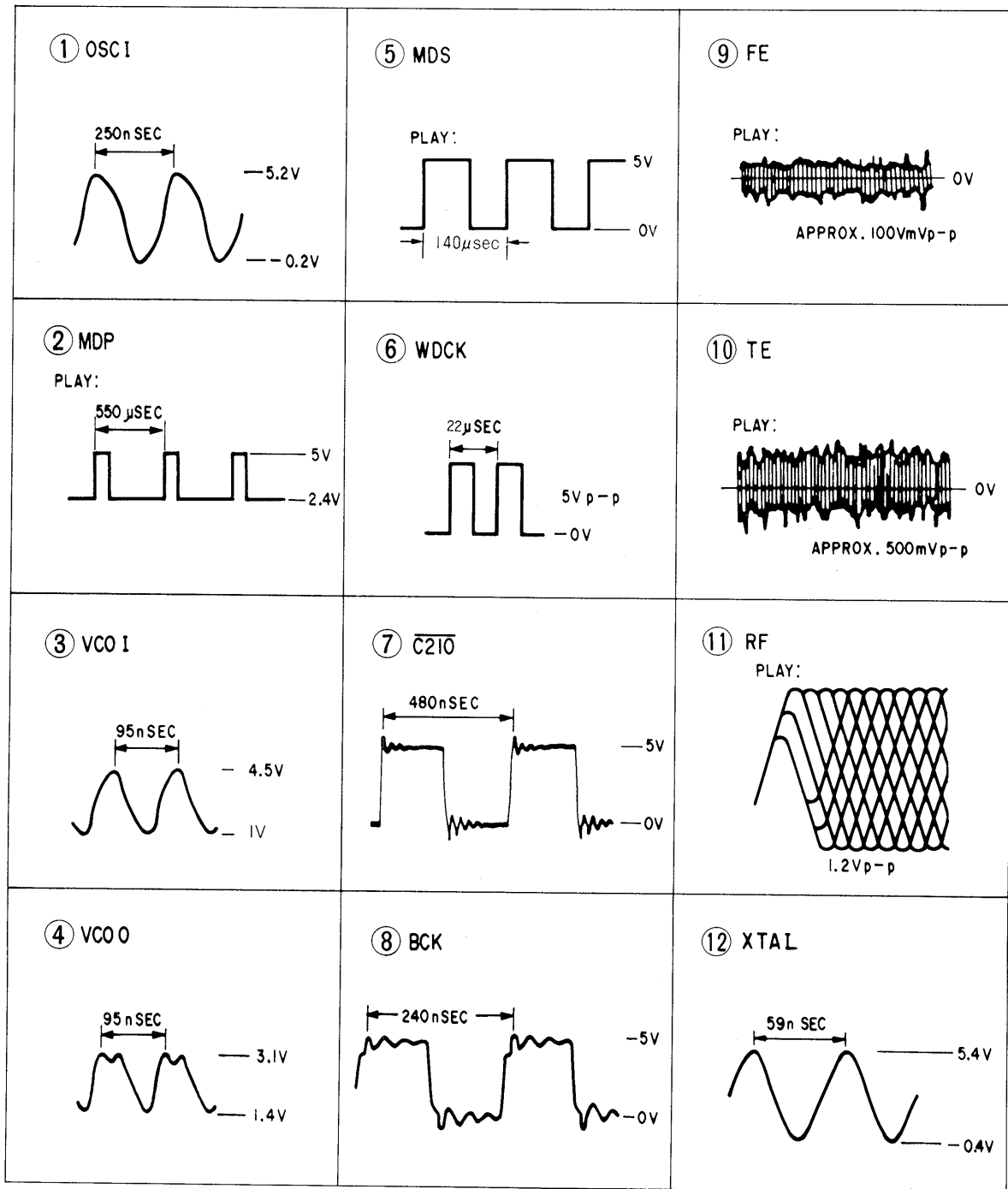
1. Connect the oscilloscope to the test points TP (TEO) and TP (GND).
2. Ground TP (ADJ) to set an adjustment mode.
3. Turn POWER switch on.
4. Put the disc (YEDS-18) in and press ▷ button.
5. Adjust RV1 so that the traverse waveform is symmetrical above and below.
6. After adjustment, cancel the adjustment mode.





## SECTION 3 DIAGRAMS

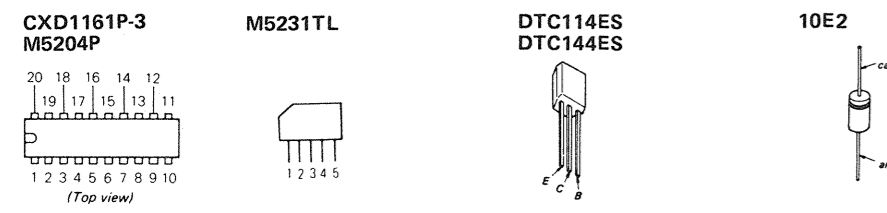
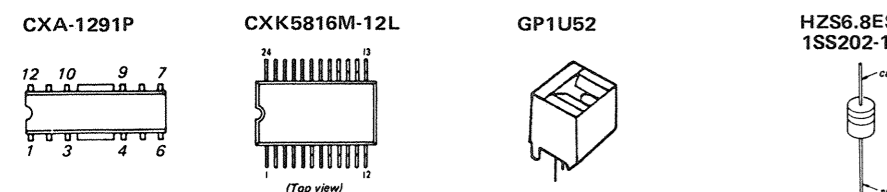
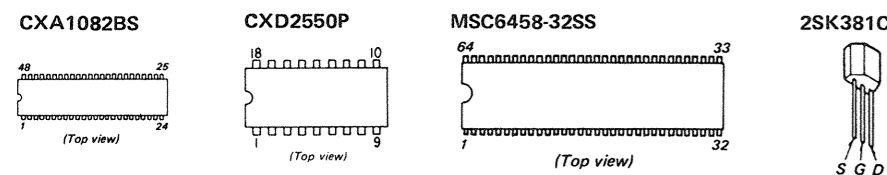
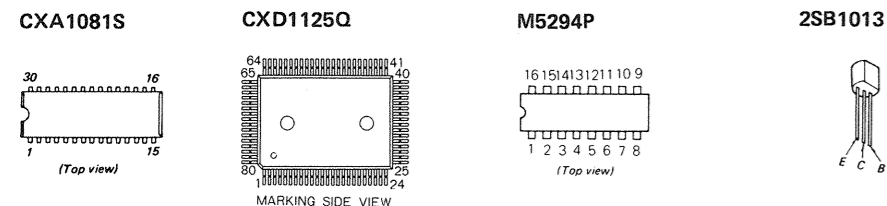
### 3-1. WAVEFORMS





3-3. PRINTED WIRING BOARDS

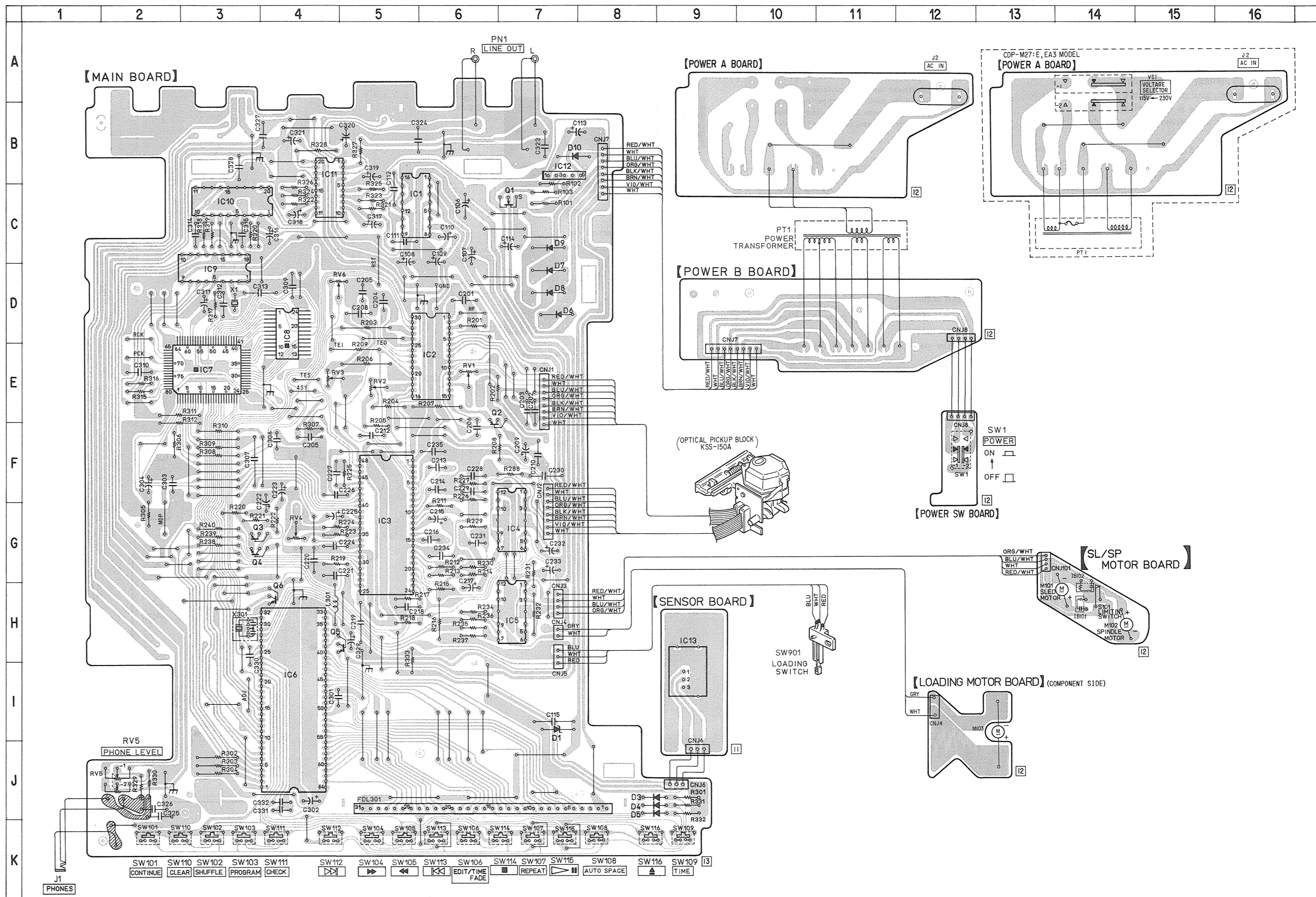
3-2. SEMICONDUCTOR LEAD LAYOUTS

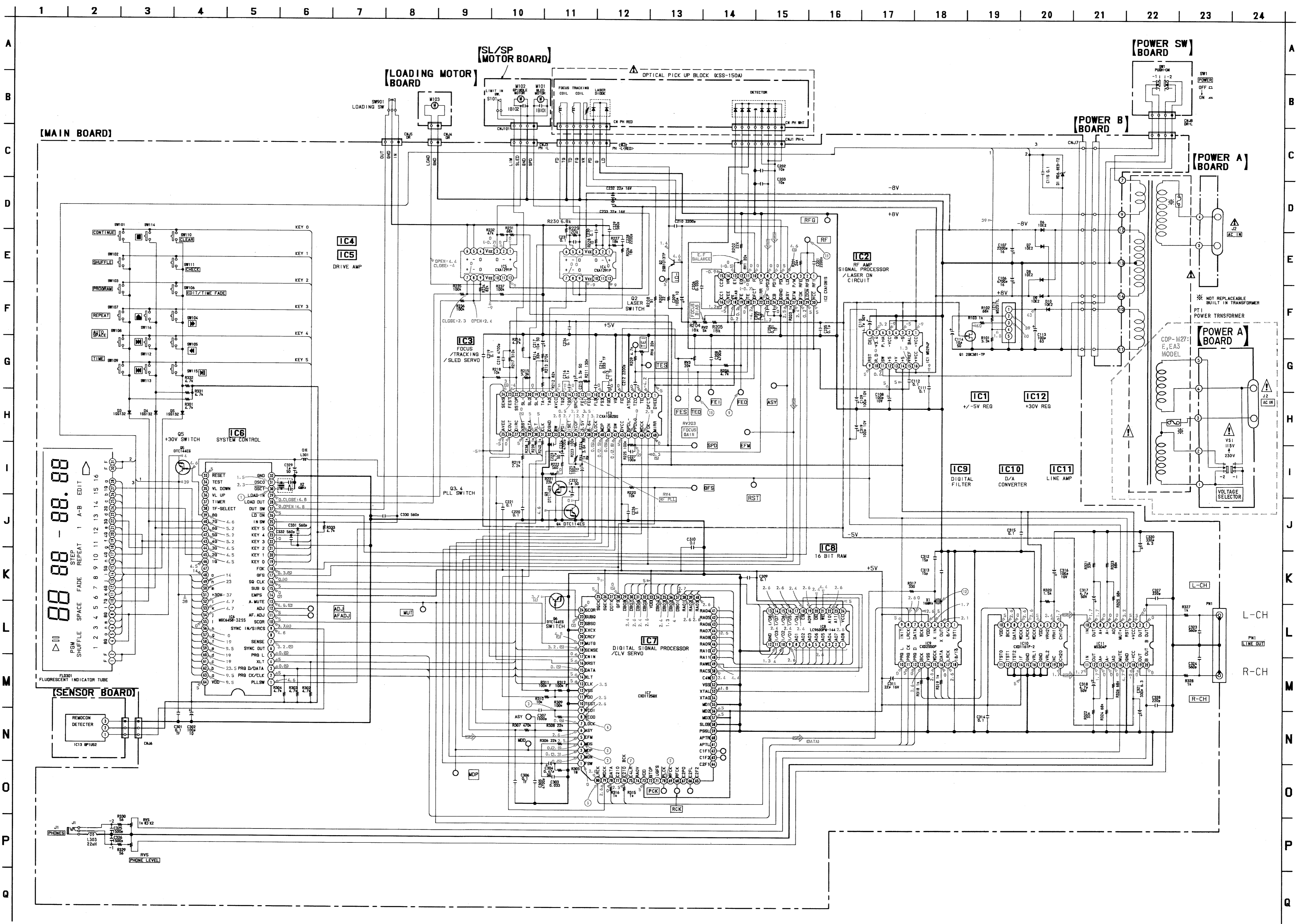


● SEMICONDUCTOR LOCATION

Ref. No.	Location	Ref. No.	Location
D1	I-7	IC6	I-4
D3	J-8	IC7	E-3
D4	J-8	IC8	D-4
D5	J-8	IC9	D-3
D6	D-7	IC10	C-3
D7	D-7	IC11	B-4
D8	D-7	IC12	B-7
D9	C-7	IC13	H-9
D10	B-7		
IC1	C-5	Q1	C-7
IC2	E-6	Q2	E-6
IC3	G-5	Q3	G-3
IC4	G-7	Q4	G-3
IC5	H-7	Q5	H-4
		Q6	H-4

Note:  
 ● ○ : parts extracted from the component side.  
 ● ○ : parts extracted from the conductor side.  
 ○ ○ : Jumper wire connected to the ground pattern on the component side.





3-5. IC BLOCK DIAGRAMS

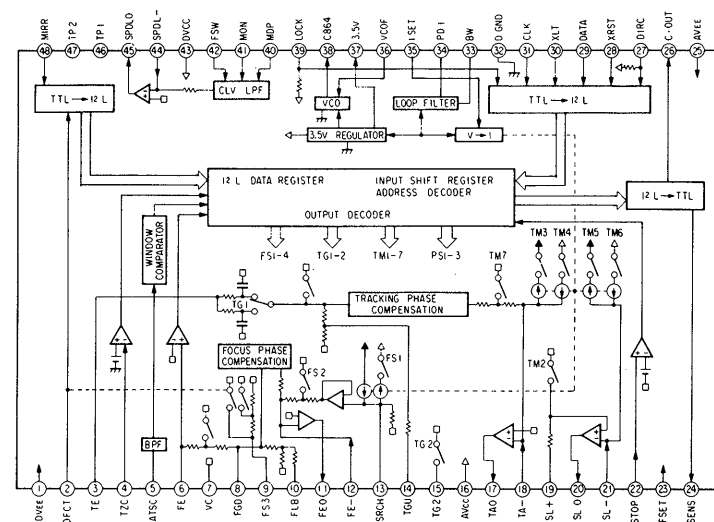
Note on Schematic Diagram:

- All capacitors are in  $\mu\text{F}$  unless otherwise noted.  $\text{pF}$ :  $\mu\text{F}$  50WV or less are not indicated except for electrolytics and tantalums.
- All resistors are in  $\Omega$  and  $\frac{1}{4}\text{W}$  or less unless otherwise specified.
- $\Delta$  : internal component.
- $\text{---} \text{B} \text{---}$  : B +line
- $\text{---} \text{B} \text{---}$  : B -line
- $\text{---} \text{---}$  : adjustment for repair
- Signal path.
- $\text{---} \text{---}$  : CD
- Voltage and waveforms are dc with respect to ground under no-signal conditions. no mark: STOP Mode ( ): PLAY
- Voltages are taken with a VOM (50k $\Omega$ /V). Voltage variations may be noted due to normal production tolerances.
- Waveforms are taken with an oscilloscope. Voltage variations may be noted due to normal production tolerances.
- Circled numbers refer to waveforms.

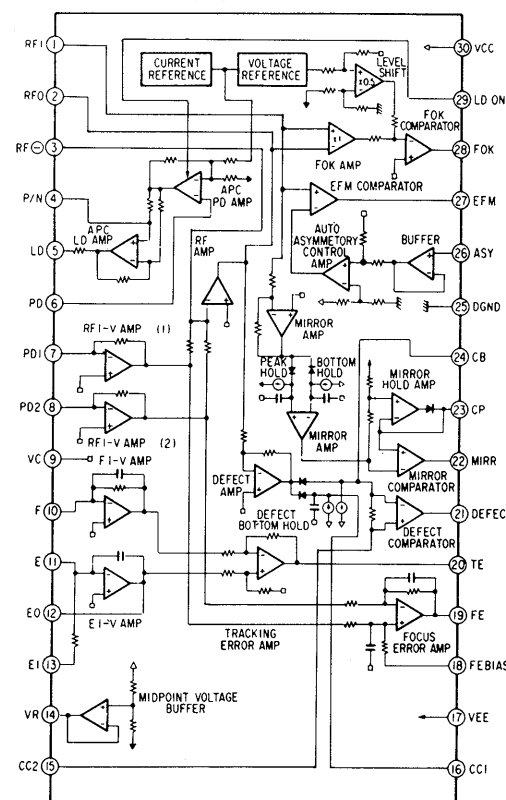
**Note:**  
The components identified by mark  $\Delta$  or dotted line with mark  $\Delta$  are critical for safety. Replace only with part number specified.

**Note:**  
Les composants identifiés par une marque  $\Delta$  sont critiques pour la sécurité. Ne les remplacer que par une pièce portant le numéro spécifié.

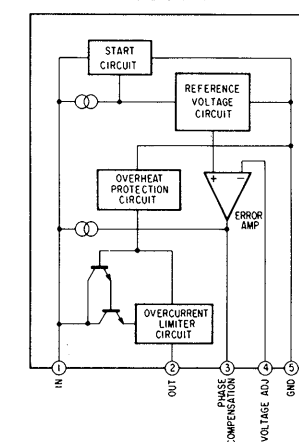
IC3 CXA1082BS



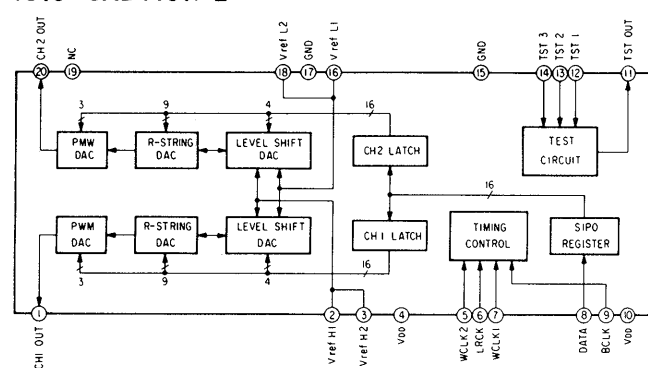
IC2 CXA1081S



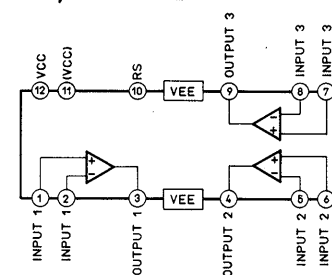
IC12 M5231TL



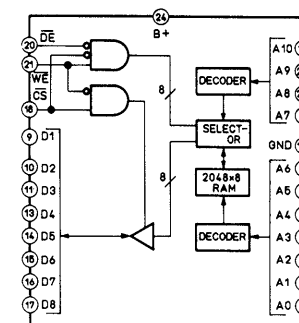
IC10 CXD1161P-2



IC4, 5 CXA1291P



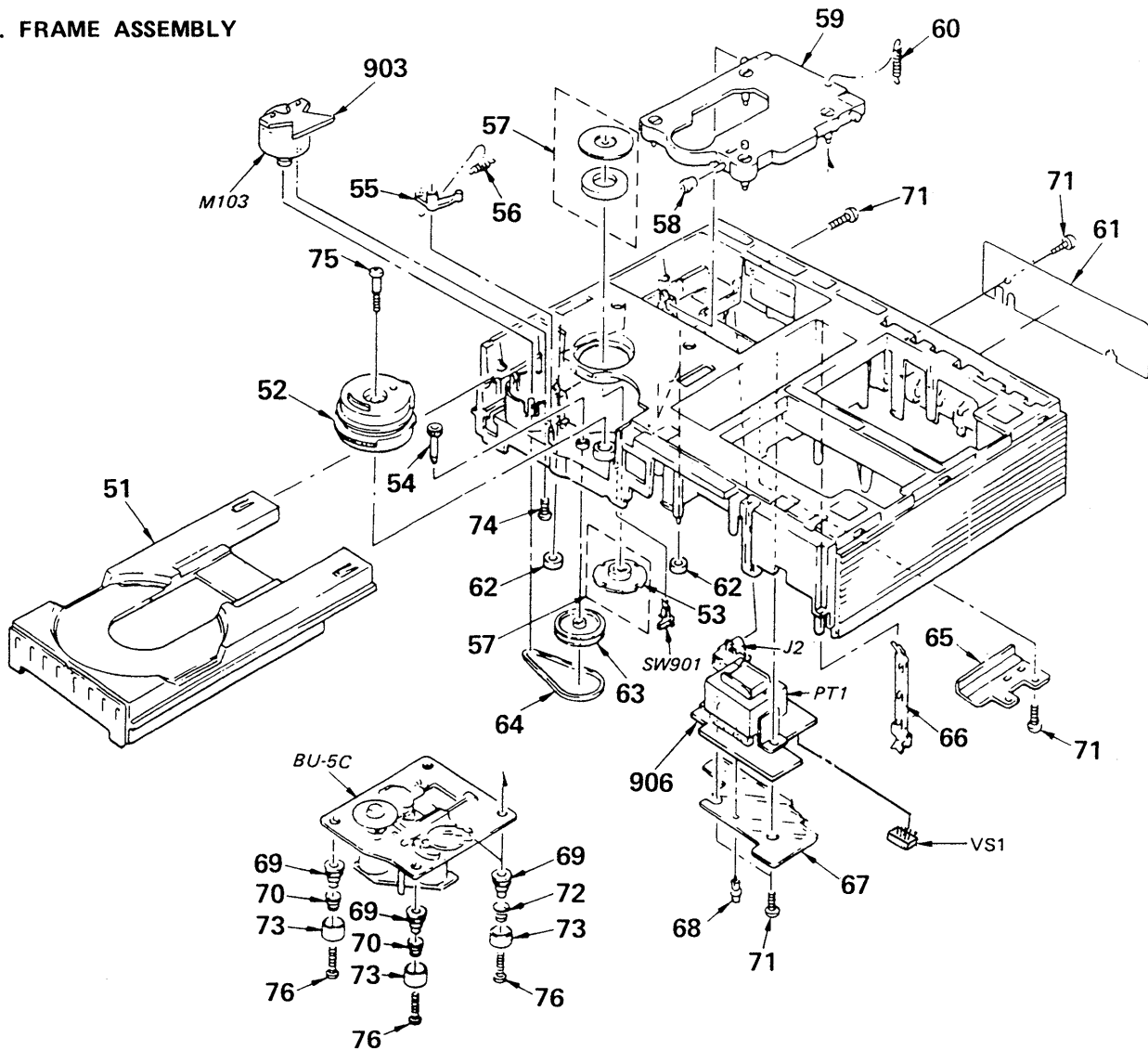
IC8 CXK5816M-10L





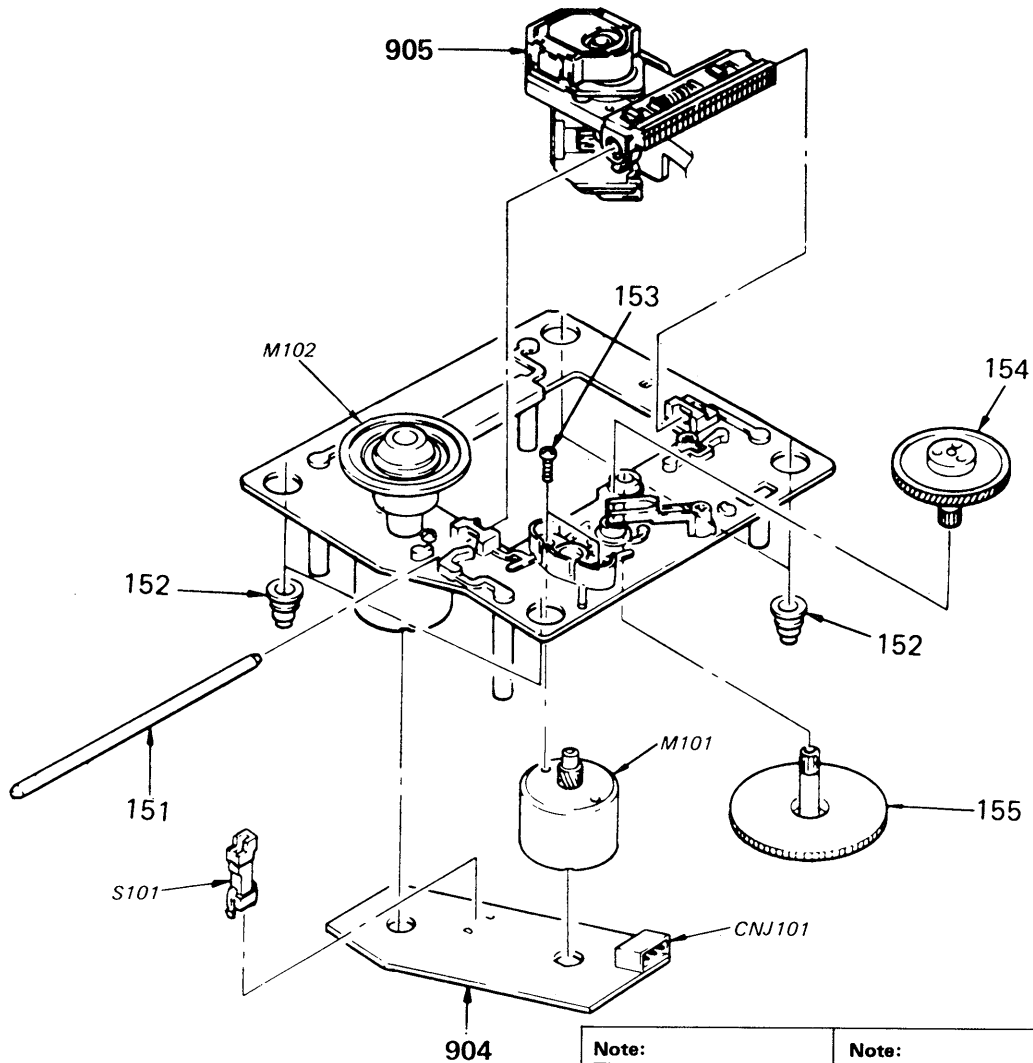


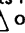
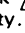
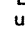
(2). FRAME ASSEMBLY




No.	Part No.	Description	Remarks	No.	Part No.	Description	Remarks
51	*4-922-604-01	TABLE, DISK		66	*4-917-511-01	PLATE, GROUND	
52	4-917-534-01	GEAR (A), LOADING		67	4-917-510-01	SHEET, INSULATING	
53	*4-918-679-04	PULLEY, PRESS		68	3-531-576-11	RIVET	
54	4-917-516-01	GEAR (B), LOADING		69	4-917-562-01	INSULATOR	
55	4-917-519-01	LEVER, SET		70	4-917-541-01	SPRING (B)	
56	4-917-514-01	SPRING, TENSION		71	7-685-647-79	SCREW +BVTP 3X10 TYPE2 N-S	
57	A-4665-024-A	MAGNET ASSY		72	4-917-507-01	SPRING (H)	
58	4-917-515-01	ROLLER		73	4-917-508-01	HOLDER, SP	
59	4-917-537-01	BASE, FLOATING		74	7-628-254-00	SCREW +PSW, 2.6X5	
60	4-917-526-01	SPRING, TENSION		75	4-923-597-01	SCREW, STEP	
61	*4-922-685-01	(M47:AEP).....PLATE, INDICATION		76	7-685-535-11	SCREW +BTP 2.6X10 TYPE2 N-S	
	*4-922-687-01	(M27:Canadian).....PLATE, INDICATION		903	*1-628-127-11	PC BOARD, ROADING	
	*4-922-688-01	(M27:AEP).....PLATE, INDICATION		906	*1-628-457-11	PC BOARD, POWER	
	*4-922-689-01	(M47:E, EA3).....PLATE, INDICATION		J2	1-526-929-11	(M27:E, EA3)..... INLET, AC	
	*4-922-695-01	(M26:UK).....PLATE, INDICATION		J2	1-526-930-11	(M27:Canadian)..... INLET, AC	
	*4-922-696-01	(M47:UK).....PLATE, INDICATION		J2	1-526-931-11	(M26/M27:AEP/M47:AEP, UK)... INLET, AC	
	4-927-314-01	(M26:AEP)		M103	A-4608-330-A	MOTOR ASSY (LOADING)	
	.....PLATE (O/P TERMINAL), INDICATION			SW901	1-570-203-11	SWITCH, LEAF	
	*4-927-380-01	(M27:AUS).....PLATE, INDICATION		PT1	△.1-449-024-11	(M27:Canadian)..... TRANSFORMER, POWER	
62	*3-576-990-01	CUSHION		PT1	△.1-449-025-11	(M26/M27:AEP/M47:AEP, UK)	
63	4-917-521-01	PULLEY, LOADING			..... TRANSFORMER, POWER		
64	4-917-522-02	BELT		PT1	△.1-449-026-11	(M27:E, EA3)..... TRANSFORMER, POWER	
65	*4-917-517-01	GUIDE, LEAD		VS1	△.1-570-046-11	(M27:E, EA3).....SWITCH, VOLTAGE CHANGE	

(3). BU-5C



<p><b>Note:</b> The components identified by mark  or dotted line with mark  are critical for safety. Replace only with part number specified.</p>	<p><b>Note:</b> Les composants identifiés par une marque  sont critiques pour la sécurité. Ne les remplacer que par une pièce portant le numéro spécifié.</p>
---	--

No.	Part No.	Description	Remarks
151	4-917-565-01	SHAFT, SLED	
152	4-917-562-01	INSULATOR	
153	7-621-255-15	SCREW +P 2X3	
154	4-917-567-01	GEAR (M)	
155	4-917-564-01	GEAR (P), FLATNESS	

No.	Part No.	Description	Remarks
904	*1-620-097-11	PC BOARD, SL/SP MOTOR	
905	 8-848-062-01	DEVICE, OPTICAL KSS-150A (RP)	
CNJ101	*1-564-720-11	PIN, CONNECTOR (SMALL TYPE) 4P	
M101	X-4917-504-1	ASSY, MOTOR (SLED)	
M102	X-4917-523-1	ASSY, MOTOR (SPINDLE)	
S101	1-571-274-11	SWITCH, LEAF (LIMIT IN)	

## SECTION 5

### ELECTRICAL PARTS LIST

**NOTE:**

- Due to standardization, replacements in the parts list may be different from the parts specified in the diagrams or the components used on the set.
- Items marked "★" are not stocked since they are seldom required for routine service. Some delay should be anticipated when ordering these items.
- If there are two or more same circuits in a set such as a stereophonic machine, only typical circuit parts may be indicated and capacitors and resistors in other same circuits may be omitted.

**CAPACITORS:**MF:  $\mu$ F, PF:  $\mu$  $\mu$ F.**RESISTORS**

- All resistors are in ohms.
- F: nonflammable

**COILS**

- MMH: mH, UH:  $\mu$ H

**SEMICONDUCTORS**In each case, U:  $\mu$ , for example:UA...:  $\mu$ A..., UPA...:  $\mu$ PA...,UPC...:  $\mu$ PC, UPD...:  $\mu$ PD...

The components identified by mark  $\Delta$  or dotted line with mark  $\Delta$  are critical for safety. Replace only with part number specified.

Les composants identifiés par une marque  $\Delta$  sont critiques pour la sécurité.

Ne les remplacer que par une pièce portant le numéro spécifié.

Ref.No.	Part No.	Description	Ref.No.	Part No.	Description
901	*1-628-128-11	PC BOARD, POWER SW	C232	1-124-234-00	ELECT 22MF 20% 16V
902	*A-4651-234-A	(M27/M47)... MOUNTED PCB, MAIN	C233	1-124-234-00	ELECT 22MF 20% 16V
	*A-4651-238-A	(M26)... MOUNTED PCB, MAIN	C234	1-164-159-11	CERAMIC 0.1MF 50V
903	*1-628-127-11	PC BOARD, LOADING	C235	1-164-159-11	CERAMIC 0.1MF 50V
904	*1-626-304-11	PC BOARD, SL/SP MOTOR	C301	1-136-165-00	FILM 0.1MF 5% 50V
905	$\Delta$ .8-848-062-01	DEVICE, OPTICAL KSS-150A (RP)	C302	1-124-443-00	ELECT 100MF 20% 10V
906	*1-628-457-11	PC BOARD, POWER	C303	1-136-159-00	FILM 0.033MF 5% 50V
C106	1-124-898-11	ELECT 4700MF 20% 16V	C304	1-124-902-00	ELECT 0.47MF 20% 50V
C107	1-124-556-11	ELECT 2200MF 20% 16V	C305	1-161-377-00	CERAMIC 0.0047MF 20% 16V
C108	1-124-443-00	ELECT 100MF 20% 10V	C306	1-136-165-00	FILM 0.1MF 5% 50V
C109	1-124-443-00	ELECT 100MF 20% 10V	C307	1-161-374-11	CERAMIC 0.0015MF 20% 16V
C110	1-124-927-11	ELECT 4.7MF 20% 50V	C309	1-164-159-11	CERAMIC 0.1MF 50V
C111	1-164-159-11	CERAMIC 0.1MF 50V	C310	1-164-159-11	CERAMIC 0.1MF 50V
C112	1-164-159-11	CERAMIC 0.1MF 50V	C311	1-124-234-00	ELECT 22MF 20% 16V
C113	1-124-572-11	ELECT 100MF 20% 63V	C312	1-162-203-31	CERAMIC 15PF 5% 50V
C114	1-123-875-11	ELECT 10MF 20% 50V	C313	1-162-203-31	CERAMIC 15PF 5% 50V
C115	1-164-159-11	CERAMIC 0.1MF 50V	C314	1-164-159-11	CERAMIC 0.1MF 50V
C201	1-161-375-00	CERAMIC 0.0022MF 20% 16V	C315	1-164-159-11	CERAMIC 0.1MF 50V
C202	1-162-199-31	CERAMIC 10PF 5% 50V	C316	1-124-443-00	ELECT 100MF 20% 10V
C203	1-162-199-31	CERAMIC 10PF 5% 50V	C317	1-124-927-11	ELECT 4.7MF 20% 50V
C204	1-136-153-00	FILM 0.01MF 5% 50V	C318	1-124-927-11	ELECT 4.7MF 20% 50V
C205	1-136-153-00	FILM 0.01MF 5% 50V	C319	1-124-443-00	ELECT 100MF 20% 10V
C206	1-136-159-00	FILM 0.033MF 5% 50V	C320	1-124-442-00	ELECT 330MF 20% 6.3V
C208	1-161-377-00	CERAMIC 0.0047MF 20% 16V	C321	1-124-442-00	ELECT 330MF 20% 6.3V
C209	1-124-443-00	ELECT 100MF 20% 10V	C323	1-162-291-31	CERAMIC 560PF 10% 50V
C210	1-161-375-00	CERAMIC 0.0022MF 20% 16V	C324	1-162-291-31	CERAMIC 560PF 10% 50V
C212	1-161-375-00	CERAMIC 0.0022MF 20% 16V	C325	1-161-374-11	CERAMIC 0.0015MF 20% 16V
C213	1-136-165-00	FILM 0.1MF 5% 50V	C326	1-161-374-11	CERAMIC 0.0015MF 20% 16V
C214	1-136-159-00	FILM 0.033MF 5% 50V	C327	1-162-286-31	(M27/M47)... CERAMIC 220PF 10% 50V
C215	1-123-382-00	ELECT 3.3MF 20% 50V	C328	1-162-286-31	(M27/M47)... CERAMIC 220PF 10% 50V
C216	1-136-165-00	FILM 0.1MF 5% 50V	C329	1-124-499-11	ELECT 1MF 20% 50V
C217	1-123-875-11	ELECT 10MF 20% 50V	C330	1-162-291-31	CERAMIC 560PF 10% 50V
C218	1-161-377-00	CERAMIC 0.0047MF 20% 16V	C331	1-162-291-31	CERAMIC 560PF 10% 50V
C219	1-164-159-11	CERAMIC 0.1MF 50V	C332	1-162-291-31	CERAMIC 560PF 10% 50V
C220	1-164-159-11	CERAMIC 0.1MF 50V	CNJ1	*1-564-724-11	PIN, CONNECTOR (SMALL TYPE) 8P
C221	1-164-159-11	CERAMIC 0.1MF 50V	CNJ2	*1-564-724-11	PIN, CONNECTOR (SMALL TYPE) 8P
C222	1-124-499-11	ELECT 1MF 20% 50V	CNJ3	*1-564-720-11	PIN, CONNECTOR (SMALL TYPE) 4P
C223	1-124-927-11	ELECT 4.7MF 20% 50V	CNJ4	*1-564-336-00	PIN, CONNECTOR 2P
C224	1-161-377-00	CERAMIC 0.0047MF 20% 16V	CNJ5	*1-564-337-00	PIN, CONNECTOR 3P
C225	1-124-443-00	ELECT 100MF 20% 10V	CNJ6	*1-566-165-11	CONNECTOR, BOARD TO BOARD 3P
C226	1-164-159-11	CERAMIC 0.1MF 50V	CNJ7	*1-564-710-11	PIN, CONNECTOR (SMALL TYPE) 8P
C227	1-162-282-31	CERAMIC 100PF 10% 50V	CNJ8	*1-566-779-11	PIN, CONNECTOR (PC BOARD) 4P
C228	1-161-375-00	CERAMIC 0.0022MF 20% 16V	CNJ101	*1-564-720-11	PIN, CONNECTOR (SMALL TYPE) 4P
C229	1-162-291-31	CERAMIC 560PF 10% 50V	D1	8-719-109-97	DIODE HZS6.8ES-82
C230	1-164-159-11	CERAMIC 0.1MF 50V	D3	8-719-107-94	DIODE 1SS202-1
C231	1-136-165-00	FILM 0.1MF 5% 50V	D4	8-719-107-94	DIODE 1SS202-1

Ref.No.	Part No.	Description
D5	8-719-107-94	DIODE 1SS202-1
D6	8-719-200-02	DIODE 10E2
D7	8-719-200-02	DIODE 10E2
D8	8-719-200-02	DIODE 10E2
D9	8-719-200-02	DIODE 10E2
D10	8-719-200-02	DIODE 10E2
FLD301	1-519-479-21	INDICATOR TUBE, FLUORESCENT
IC1	8-759-631-40	IC M5294P
IC2	8-752-034-00	IC CXA1081S
IC3	8-752-032-30	IC CXA1082BS
IC4	8-752-035-28	IC CXA-1291P
IC5	8-752-035-28	IC CXA-1291P
IC6	8-759-978-34	IC MSC6458-32SS
IC7	8-752-328-62	IC CXD1125Q
IC8	8-752-323-64	IC CXK5816M-12L
IC9	8-752-328-72	IC CXD2550P
IC10	8-759-805-36	IC CXD1161P-3
IC11	8-759-631-39	IC M5204P
IC12	8-759-605-43	IC M5231TL
IC13	8-749-920-03	IC GP1U52
IB101	1-233-171-11	COMPOSITION CIRCUIT BLOCK
IB102	1-233-171-11	COMPOSITION CIRCUIT BLOCK
J1	1-566-936-41	(M27/M47).. JACK, LARGE TYPE (PHONES)
J2	1-526-929-11	(M27:E, EA3)..... INLET, AC
J2	1-526-930-11	(M27:Canadian)..... INLET, AC
J2	1-526-931-11	(M27:AEP/M47:AEP, UK/M26).. INLET, AC
L301	*1-410-858-11	INDUCTOR 0UH
L303	1-410-973-11	(M27/M47)..... INDUCTOR 22UH
M101	X-4917-504-1	ASSY, MOTOR (SLED)
M102	X-4917-523-1	ASSY, MOTOR (SPINDLE)
M103	A-4608-330-A	MOTOR ASSY (LOADING)
PN1	*1-562-999-21	JACK, PIN 2P (LINE OUT)
PT1	△.1-449-024-11	(M27:Canadian)...TRANSFORMER, POWER
PT1	△.1-449-025-11	(M27:AEP/M47:AEP,UK) ...TRANSFORMER, POWER
PT1	△.1-449-026-11	(M27:E,EA3).....TRANSFORMER, POWER
Q1	8-729-600-94	TRANSISTOR 2SK381
Q2	8-729-801-83	TRANSISTOR 2SB1013
Q3	8-729-900-80	TRANSISTOR DTC114ES
Q4	8-729-900-89	TRANSISTOR DTC144ES
Q5	8-729-900-89	TRANSISTOR DTC144ES
Q6	8-729-900-89	TRANSISTOR DTC144ES
R101	1-249-423-11	CARBON 3.3K 5% 1/4W
R102	1-249-439-11	CARBON 68K 5% 1/4W
R103	1-249-417-11	CARBON 1K 5% 1/4W

Ref.No.	Part No.	Description
R201	1-247-864-11	CARBON 24K 5% 1/4W
R202	1-249-433-11	CARBON 22K 5% 1/4W
R203	1-249-417-11	CARBON 1K 5% 1/4W
R204	1-249-432-11	CARBON 18K 5% 1/4W
R205	1-249-432-11	CARBON 18K 5% 1/4W
R206	1-249-425-11	CARBON 4.7K 5% 1/4W
R207	1-249-397-11	CARBON 22 5% 1/4W
R208	1-247-806-11	CARBON 91 5% 1/4W
R209	1-249-425-11	CARBON 4.7K 5% 1/4W
R211	1-247-882-11	CARBON 130K 5% 1/4W
R212	1-249-440-11	CARBON 82K 5% 1/4W
R213	1-247-889-00	CARBON 270K 5% 1/4W
R214	1-249-435-11	CARBON 33K 5% 1/4W
R215	1-249-423-11	CARBON 3.3K 5% 1/4W
R216	1-249-425-11	CARBON 4.7K 5% 1/4W
R217	1-247-896-11	CARBON 510K 5% 1/4W
R218	1-249-429-11	CARBON 10K 5% 1/4W
R219	1-249-421-11	CARBON 2.2K 5% 1/4W
R220	1-249-429-11	CARBON 10K 5% 1/4W
R221	1-249-433-11	CARBON 22K 5% 1/4W
R222	1-249-414-11	CARBON 560 5% 1/4W
R223	1-249-441-11	CARBON 100K 5% 1/4W
R224	1-215-434-00	METAL 3.6K 1% 1/6W
R225	1-249-441-11	CARBON 100K 5% 1/4W
R226	1-249-432-11	CARBON 18K 5% 1/4W
R227	1-249-432-11	CARBON 18K 5% 1/4W
R228	1-249-393-11	CARBON 10 5% 1/4W
R229	1-247-881-00	CARBON 120K 5% 1/4W
R230	1-249-427-11	CARBON 6.8K 5% 1/4W
R231	1-249-439-11	CARBON 68K 5% 1/4W
R232	1-249-437-11	CARBON 47K 5% 1/4W
R234	1-249-440-11	CARBON 82K 5% 1/4W
R235	1-249-441-11	CARBON 100K 5% 1/4W
R236	1-249-441-11	CARBON 100K 5% 1/4W
R237	1-249-441-11	CARBON 100K 5% 1/4W
R238	1-249-417-11	CARBON 1K 5% 1/4W
R239	1-249-417-11	CARBON 1K 5% 1/4W
R240	1-249-417-11	CARBON 1K 5% 1/4W
R301	1-249-425-11	CARBON 4.7K 5% 1/4W
R302	1-249-425-11	CARBON 4.7K 5% 1/4W
R303	1-249-425-11	CARBON 4.7K 5% 1/4W
R304	1-249-425-11	CARBON 4.7K 5% 1/4W
R305	1-247-903-00	CARBON 1M 5% 1/4W
R306	1-249-433-11	CARBON 22K 5% 1/4W
R307	1-247-895-00	CARBON 470K 5% 1/4W

**Note:**  
The components identified by mark **△** or dotted line with mark **△** are critical for safety. Replace only with part number specified.

**Note:**  
Les composants identifiés par une marque **△** sont critiques pour la sécurité. Ne les remplacer que par une pièce portant le numéro spécifié.






Ref.No.	Part No.	Description				
R308	1-249-433-11	CARBON	22K	5%	1/4W	
R309	1-249-441-11	CARBON	100K	5%	1/4W	
R310	1-249-429-11	CARBON	10K	5%	1/4W	
R311	1-215-469-00	METAL	100K	1%	1/6W	
R312	1-215-469-00	METAL	100K	1%	1/6W	
R315	1-249-417-11	CARBON	1K	5%	1/4W	
R316	1-249-417-11	CARBON	1K	5%	1/4W	
R317	1-249-411-11	CARBON	330	5%	1/4W	
R318	1-249-417-11	CARBON	1K	5%	1/4W	
R319	1-249-417-11	CARBON	1K	5%	1/4W	
R320	1-249-419-11	CARBON	1.5K	5%	1/4W	
R321	1-249-435-11	CARBON	33K	5%	1/4W	
R322	1-249-435-11	CARBON	33K	5%	1/4W	
R323	1-249-439-11	CARBON	68K	5%	1/4W	
R324	1-249-439-11	CARBON	68K	5%	1/4W	
R325	1-249-439-11	CARBON	68K	5%	1/4W	
R326	1-249-439-11	CARBON	68K	5%	1/4W	
R327	1-249-417-11	CARBON	1K	5%	1/4W	
R328	1-249-417-11	CARBON	1K	5%	1/4W	
R329	1-249-402-11	(M27/M47)... CARBON	56	5%	1/4W	
R330	1-249-402-11	(M27/M47)... CARBON	56	5%	1/4W	
R331	1-249-425-11	CARBON	4.7K	5%	1/4W	
R332	1-249-425-11	CARBON	4.7K	5%	1/4W	
R333	1-249-425-11	CARBON	4.7K	5%	1/4W	
RV1	1-228-995-00	RES, ADJ, CARBON 20K				
RV2	1-228-993-00	RES, ADJ, CARBON 5K				
RV3	1-228-995-00	RES, ADJ, CARBON 20K				
RV4	1-228-990-00	RES, ADJ, METAL GLAZE 1K				
RV5	1-238-307-11	(M27/M47)... RES, VAR, CARBON 1K/1K (PHONE LEVEL)				
RV6	1-228-995-00	RES, ADJ, CARBON 20K				
S101	1-571-274-11	SWITCH, LEAF (LIMIT IN)				
SW1	1-552-928-00	SWITCH (POWER)				
SW101	1-571-685-11	SWITCH, KEY BOARD (CONTINUE)				
SW102	1-571-685-11	SWITCH, KEY BOARD (SHUFFLE)				
SW103	1-571-685-11	SWITCH, KEY BOARD (PROGRAM)				
SW104	1-571-685-11	SWITCH, KEY BOARD (▶▶)				
SW105	1-571-685-11	SWITCH, KEY BOARD (◀◀)				
SW106	1-571-685-11	SWITCH, KEY BOARD (EDIT/TIME FADE)				
SW107	1-571-685-11	SWITCH, KEY BOARD (REPEAT)				
SW108	1-571-685-11	SWITCH, KEY BOARD (AUTO SPACE)				
SW109	1-571-685-11	SWITCH, KEY BOARD (TIME)				
SW110	1-571-686-11	SWITCH, KEY BOARD (CLEAR)				
SW111	1-571-686-11	SWITCH, KEY BOARD (CHECK)				
SW112	1-571-686-11	SWITCH, KEY BOARD (▶▶)				
SW113	1-571-686-11	SWITCH, KEY BOARD (◀◀)				
SW114	1-571-686-11	SWITCH, KEY BOARD (■)				

Ref.No.	Part No.	Description
SW115	1-571-686-11	SWITCH, KEY BOARD (▶ )
SW116	1-571-686-11	SWITCH, KEY BOARD (▲)
SW901	1-570-203-11	SWITCH, LEAF
VS1	1-570-046-11	(M27:E,EA3)...SWITCH, VOLTAGE CHANGE
X1	1-567-908-21	VIBRATOR, CRYSTAL (16.9MHz)
X2	1-577-082-11	VIBRATOR, CERAMIC (4MHz)

ACCESSORY & PACKING MATERIAL

1-465-050-11	(M47:AEP,UK)...REMOTE COMMANDER (RM-D170)
△.1-506-401-00	(M27:EA3)...ADAPTOR, CONVERSION
△.1-526-565-00	(M27:E)....AC PLUG ADAPTOR
△.1-555-074-00	(M27:AUS).....CORD, POWER
△.1-556-280-00	(M27:E).....CORD, POWER
△.1-558-032-11	(M26:UK/M47:UK).....CORD, POWER
△.1-558-834-11	(M27:Canadian)....CORD, POWER
△.1-558-835-11	(M26:AEP/M27:EA3,AEP/M47:AEP)...CORD, POWER
1-558-543-11	CORD, CONNECTION
1-559-533-11	CORD, CONNECTION
3-750-022-11	(M27:E/M47:UK)...MANUAL, INSTRUCTION
3-750-022-21	(M27:Canadian)...MANUAL, INSTRUCTION
3-750-022-31	(M27:Canadian)...MANUAL, INSTRUCTION
3-750-022-41	(M27/M47:AEP)....MANUAL, INSTRUCTION
*3-795-629-11	(M27/M47:AEP)...INSTRUCTION
*4-885-838-00	LABEL, CLASS 1
*4-922-672-21	(M47)....INDIVIDUAL CARTON
*4-922-672-31	(M27)....INDIVIDUAL CARTON
*4-922-673-01	CUSHION
7-632-650-75	SHEET, PROTECTION (500MM)

**Note:**  
The components identified by mark  or dotted line with mark  are critical for safety. Replace only with part number specified.

**Note:**  
Les composants identifiés par une marque  sont critiques pour la sécurité. Ne les remplacer que par une pièce portant le numéro spécifié.

# SUPPLEMENT-1

This SUPPLEMENT is for the model made in France.

[MODEL IDENTIFICATION]

SONY MODEL NO. COMPACT DISC PLAYER
SERIAL NO. MADE IN FRANCE

----- CDP-M26  
CDP-M27  
CDP-M47

LABEL, MODEL NUMBER

Identify the set with the indication of "MADE IN FRANCE" here.

EXPLODED VIEWS

Page	No.	Part No.	INDICATOR
18	1	4-923-522-21	(M27)..... KNOB (B. TYPE), LOV (PHONE LEVEL) (GRAY)
	2	X-4917-560-1	(M27)..... PANEL ASSY, FRONT (GRAY)
	4	4-922-665-31	(M27)..... PANEL, LOADING (GRAY)
	5	4-922-660-11	(M27)..... BUTTON (POWER) (GRAY)
	9	4-917-536-31	(M26, M27).. CASE (GRAY)
19	61	*4-918-695-01	PLATE (B), INDICATION, TERMINAL
	74	7-628-254-10	+ PSW, 2. 6X6

ELECTRICAL PARTS LIST

*A-4651-230-A	(M26)..... MOUNTED PCB, MAIN
*A-4651-231-A	(M27, M47)... MOUNTED PCB, MAIN
*1-630-377-11	PC BOARD, POWER SW
*1-630-379-11	PC BOARD, POWER (S)
*1-630-380-11	PC BOARD, REMOTE CONTROL
*1-630-376-11	PC BOARD, LOADING
*1-626-304-11	PC BOARD, SL/SP MOTOR
*1-630-378-11	PC BOARD, POWER (P)

MAIN BOARD

Page	Ref (No.)	Part No.	Description
21	C204, 205	1-130-483-00	MYLAR 0.01MF 5% 50V
	C206, 214, 303	1-130-489-00	MYLAR 0.033MF 5% 50V
	CNJ5	*1-564-719-11	PIN, CONNECTOR (SMALL TYPE) 3P
22	IC4, 5	8-759-508-18	IC LA6520
	IC6	8-759-988-85	IC MSC6458-38SS
	IC10	8-759-821-24	IC LC7881-C
23	SW101-109	1-554-088-00	SWITCH, KEY BOARD
	X1	1-577-328-11	VIBRATOR, CRYSTAL
	X2	1-567-686-11	OSCILLATOR, CERAMIC

LOADING MOTOR BOARD

Page	Ref (No.)	Part No.	Description
21	CNJ4	*1-564-718-11	PIN, CONNECTOR (SMALL TYPE) 2P

POWER SW BOARD

Page	Ref (No.)	Part No.	Description
21	CNJ8	*1-564-720-11	PIN, CONNECTOR (SMALL TYPE) 4P

SL/SP MOTOR BOARD

Page	Ref (No.)	Part No.	Description
22	IB101 → C101	1-233-171-11	COMPOSITION CIRCUIT BLOCK
	IB102 → C102	1-233-171-11	COMPOSITION CIRCUIT BLOCK

POWER A BOARD

Page	Ref (No.)	Part No.	Description
22	J2	△ 1-526-931-11	INLET, AC

ACCESSORY & PACKING MATERIAL

Page	Part No.	Description
23	3-750-022-51	(M27, M47)... MANUAL, INSTRUCTION
	3-750-022-61	(M27, M47)... MANUAL, INSTRUCTION
	*4-922-680-01	(M47)..... LABEL, MODEL NUMBER (AE)
	*4-922-682-01	(M27)..... LABEL, MODEL NUMBER (AE)
	*4-922-699-01	(M26)..... LABEL, MODEL NUMBER (AE)
	*4-927-312-01	(M47)..... INDIVIDUAL CARTON
	*4-927-312-11	(M27)..... INDIVIDUAL CARTON
	*4-927-312-21	(M26)..... INDIVIDUAL CARTON
	*4-927-313-01	CUSHION

- Items marked "\*" are not stocked since they are seldom required for routine service. Some delay should be anticipated when ordering these items.

Note:

The components identified by mark △ or dotted line with mark △ are critical for safety. Replace only with part number specified.

Note:

Les composants identifiés par une marque △ sont critiques pour la sécurité. Ne les remplacer que par une pièce portant le numéro spécifié.

9-955-911-11

Including 9-953-665-11  
9-953-665-81  
9-953-665-82  
9-953-696-11  
9-953-696-81  
9-953-696-82

Sony Corporation  
Audio Group

English  
93L05074-2(2)  
Printed in Japan  
© 1990. 5